

REMOTE → SEMI-VERTICAL MULTIDECKS

Andy RDAN-37

BSA | CSS



STANDARD FEATURES

- working temperature, straight module: from 0°C to 2°C
- refrigerant: R744
- natural defrosting
- 2 x NTC temperature probe
- siphoned condensate drains
- exposition: zinc-plated steel, powder coated in white (RAL 9003)
- 2 rows of suspended shelves, on shelves and on air inlet price holders 39 mm
- lighting: top, LEDit, NW-4
- color of the base – black (RAL 9005)
- mechanical night blind

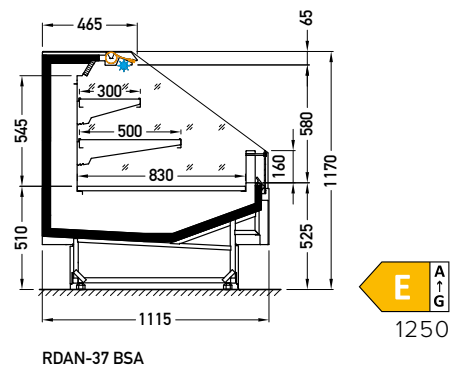
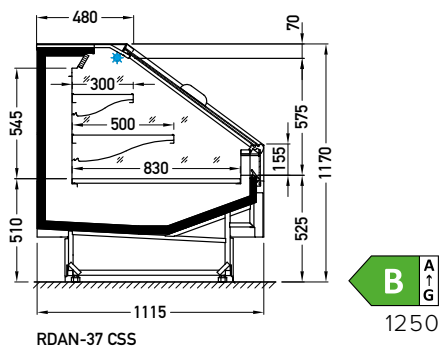
OPTIONS

- electronic expansion valve
- sidewalls



Andy RDAN-37 2500 BSA

BSA – low glass or front glass riser | single, straight | fixed



AVAILABLE MODULES

1250 1875 2500 3750

JBG-2 Sp. z o.o. reserves the right to change the standards of devices or to withdraw products without prior notice.

Designation of the energy efficiency class is dedicated to a particular products, which are presented on each page of the catalogue. Indicated energy efficiency class depends on a module type, equipment, glassing version and type of a refrigerant. Amendment of each of the said parameters may cause amendment of the energy efficiency class. Contact the producer to acknowledge the energy efficiency class for the product with different parameters to those presented in the catalogue.