



PLUG-IN → ISLANDS

Elbrus WNEL-27 2500 CCP



Module:

2500



Refrigerant:

R290



Available options:

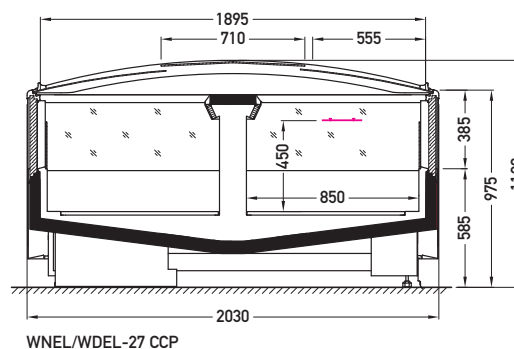
- working temperature: from -25°C to -21°C
- hot gas defrosting
- automatic evaporation of condensate
- electronic controller with temperature indicator
- **energy saving fans**
- exposition: zinc-plated steel, powder coated in white (RAL 9003)
- thermopane glass (4 side glass)
- colour of the base black (RAL 9005)
- without sidewalls (optionally)
- LEDit lighting (optionally)



Elbrus WNEL-27 2500 CCP



Cross sections:



WNEL/WDEL-27 CCP

CCP – cover | single, curved | sliding (slide-up/push)

Available modules: 2500 3750
1895G