

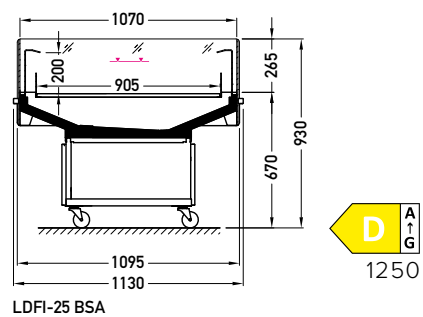
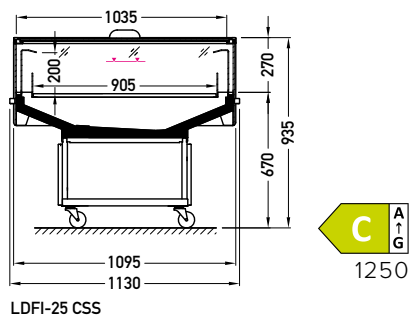
STANDARD FEATURES

- working temperature: for BSA and CSS with integrated sidewalls version from 0°C to 2°C; for BSA version with single glass sidewalls from 2°C to 4°C
- refrigerant: R290
- electrical defrosting
- automatic evaporation of condensate
- electronic controller with temperature indicator
- exposition: zinc-plated steel, powder coated in white (RAL 9003)
- inox square bumper 25 x 25 mm
- color of the base black (RAL 9005)
- sidewalls: integrated glass with black/grey silk screen painting; single glass without silk screen
- on wheels



Fiji LDFI-25 1250 CSS

BSA – low glass or front glass riser | single, straight | fixed
 CSS – cover | single, straight | sliding (sideways)



AVAILABLE MODULES

CSS	1000	1250	1600
BSA	1000	1250	1600