



## STANDARD FEATURES

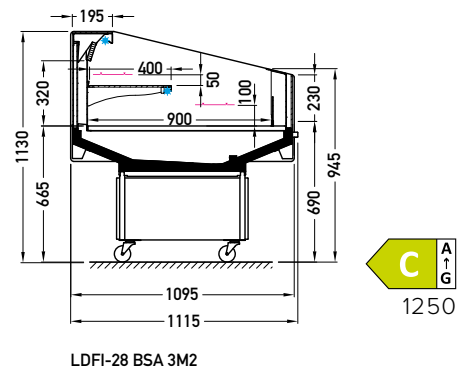
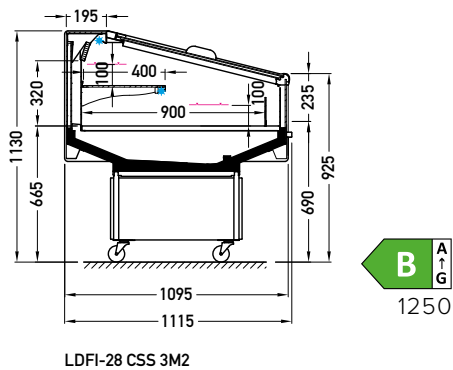
- working temperature: from 0°C to 2°C
- refrigerant: R290
- electrical defrosting
- automatic evaporation of condensate
- electronic controller with temperature indicator
- **energy saving fans**
- exposition: zinc-plated steel, powder coated in white (RAL 9003)
- inox square bumper 25 x 25 mm
- color of the base black (RAL 9005)
- sidewalls glass with black/ grey screen printing
- on wheels

## OPTIONS

- LEDit lighting

Fiji LDFI-28 1250 CSS

BSA – low glass or front glass riser | single, straight | fixed  
 CSS – cover | single, straight | sliding (sideways)



## AVAILABLE MODULES

1250 1600