



REMOTE → COUNTERS

# Lhotse LDLH-47 1250

GCL | BCA



**Module:**

1250



**Refrigerant:**

R744



**Available options:**

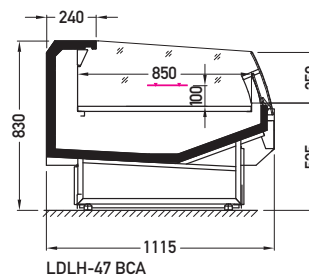
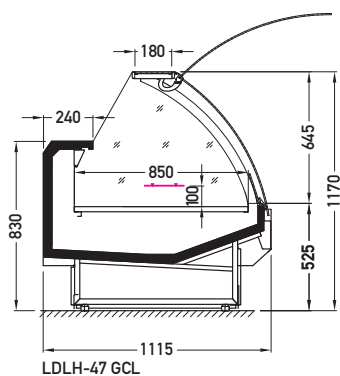
- working temperature – straight module: from 0°C to 2°C; corner nodules from 4°C to 8°C
- electrical defrosting
- electronic expansion valve
- 2 x NTC temperature probe
- siphoned condensate drains
- exposition: zinc-plated steel, powder coated in white (RAL 9003)
- worktop: linen stainless steel
- LEDit lighting (optionally)
- expositions full base
- without sidewalls (optionally)



Gerlach 2.0 RDGH-H2 2500 DVO



**Cross sections:**



**GCL** – glass | single, bent | lift up

**BCA** – low glass or front glass riser | single, bent | fixed

|                           |                |      |      |      |      |      |      |
|---------------------------|----------------|------|------|------|------|------|------|
| <b>Available modules:</b> | <b>BCA</b>     | 1250 | 1875 | 2150 | 2500 | 3750 |      |
|                           | <b>GCL</b>     | 0938 | 1250 | 1875 | 2150 | 2500 | 3750 |
|                           | <b>BCA GCL</b> | NW45 | NW90 | NZ45 | NZ90 |      |      |